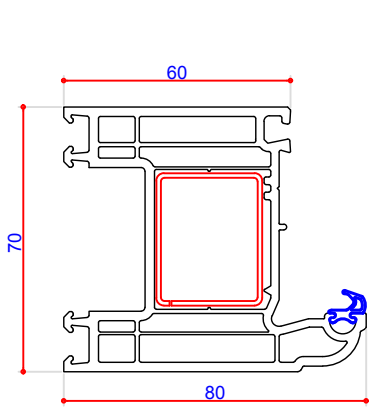
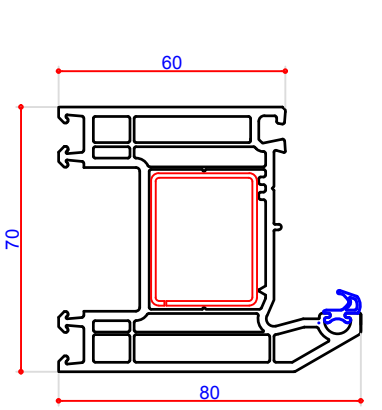


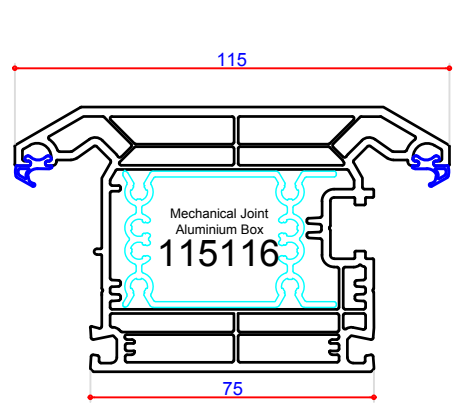
65mm Outer Frame 105174



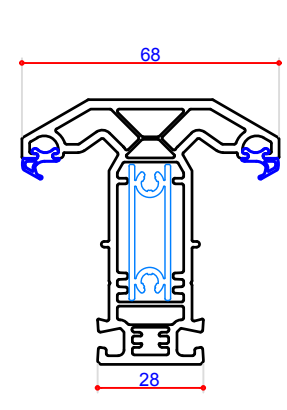
80mm Featured Sash 105175



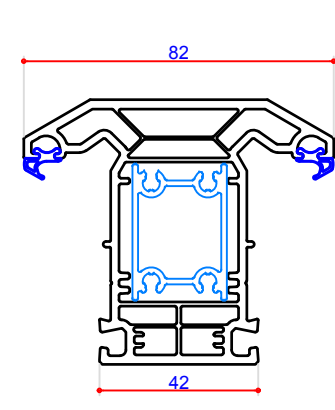
80mm Chamfered sash 105176



115mm Chamfered Midrail 103367



68mm T Chamfered Mullion 102297



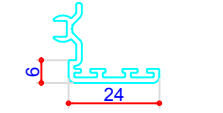
82mm T Chamfered Mullion 102299



8.5mm Brush Pile Seal 112365
Grey Only



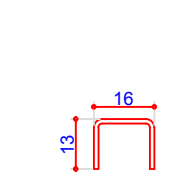
Edging Profile Gasket 112482



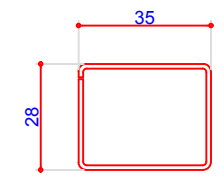
Edging Trim 104476
(Black, White or Foiled)



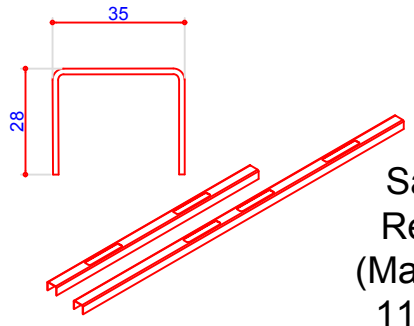
109101 End Cap for 104476



Outer Frame Reinforcement 113391



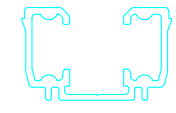
Sash Reinforcement 713191



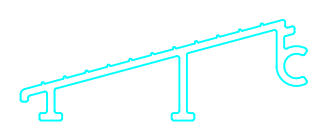
Sash Prepped Reinforcement (Main/French/2-2) 113393.900001



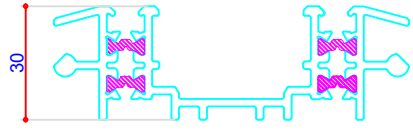
Threshold Cover 104399
Champagne Only



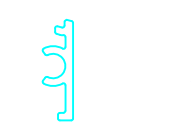
Track 104393
Champagne Only



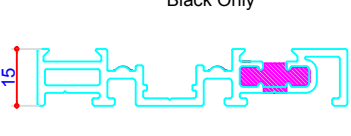
Threshold Ramp 104391
Champagne Only



Low Threshold 104392
Champagne Only



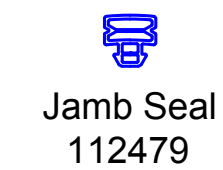
Threshold Blanking Piece 104394
Champagne Only



Room Divider Threshold 104390
Champagne Only



Threshold Strip 709047
Black Only



Jamb Seal 112479



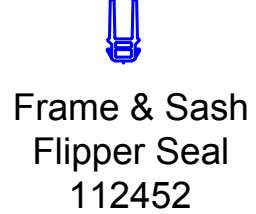
Traffic Door Gasket 112455



Head & Foot Seal 112481



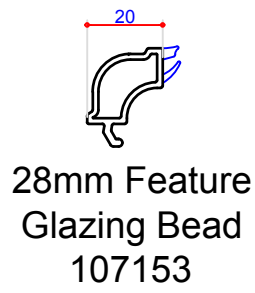
Sash Blanking Gasket 112453



Frame & Sash Flipper Seal 112452



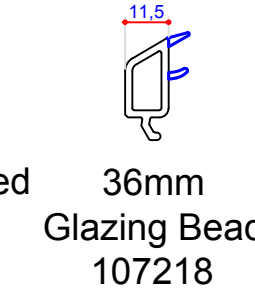
Fold Gasket (For repair) 112003



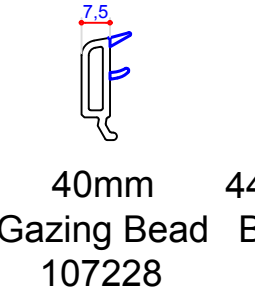
28mm Feature Glazing Bead 107153



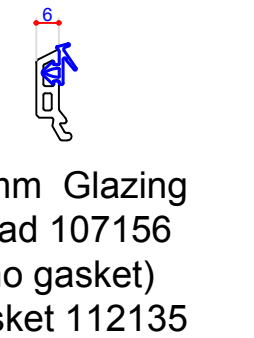
28mm Chamfered Glazing Bead 107154



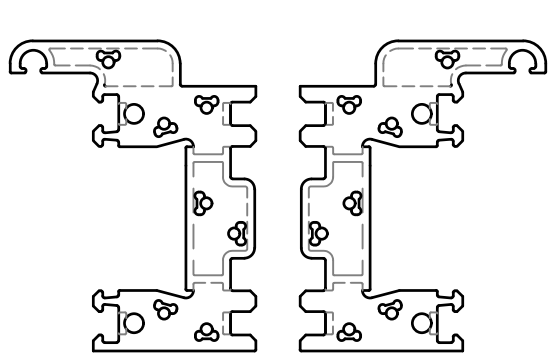
36mm Glazing Bead 107218



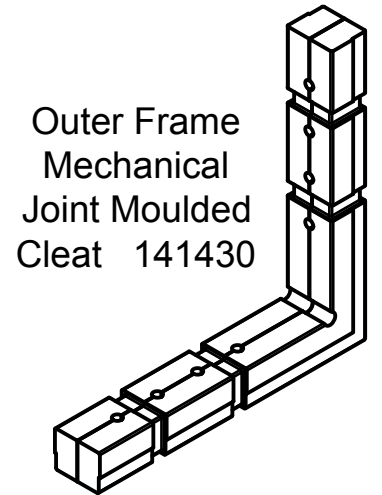
40mm Glazing Bead 107228



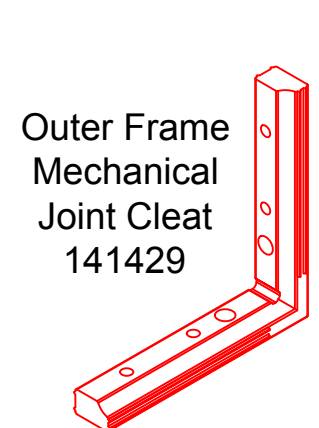
44mm Glazing Bead 107156 (no gasket) Gasket 112135



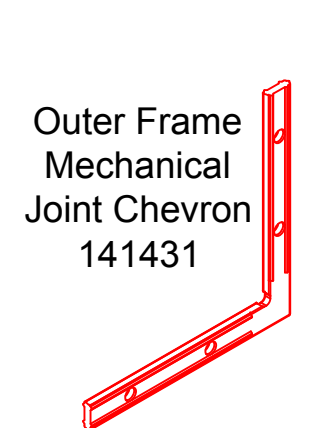
Thermally Broken Threshold Mechanical Joint 109998



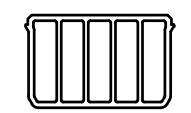
Outer Frame Mechanical Joint Moulded Cleat 141430



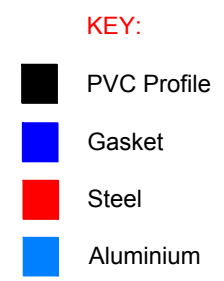
Outer Frame Mechanical Joint Cleat 141429



Outer Frame Mechanical Joint Chevron 141431



Outer Frame Thermal Insert 105177
Available White, Brown and, Caramel



DO NOT SCALE the drawings shown are visual representations only. VEKA PLC has the right to alter the designs, specification & descriptions without prior notice as part of our policy of continuous development and improvements.