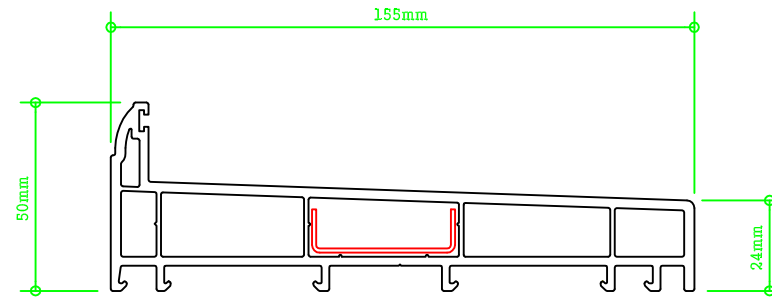


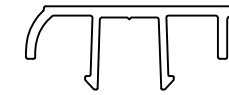
68mm outer frame 105036
Steel reinforcement 113040



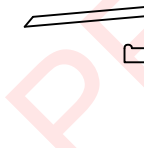
155mm outer frame 105037
Steel reinforcement 113321

outer frame

supplementary profiles



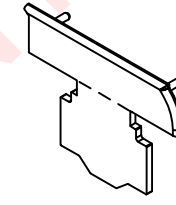
Infill sash stop 109619



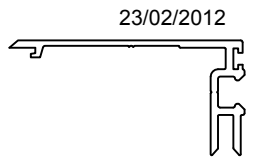
Blanking Strip 109907



Interlock infill bead 109043



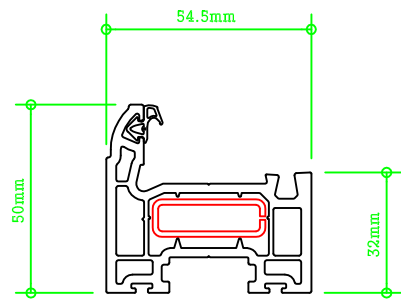
End cap for infill sash stop 109620



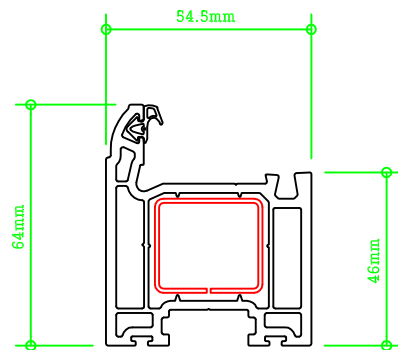
Sash cover/interlock 105038

System:	Vertical Slider
Section:	09
Page:	00:03
Date:	June 11
Revision:	00:02

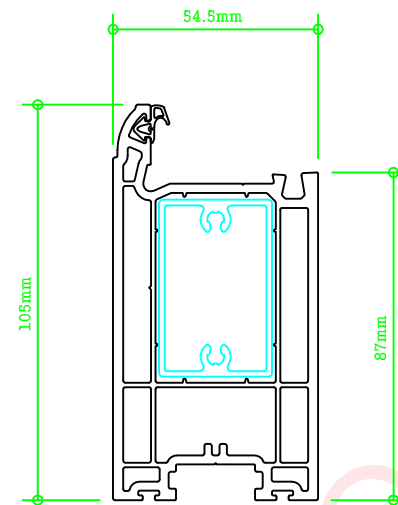
23/02/2012



50mm top sash 105032
Steel reinforcement 113020



64mm bottom sash 105033
Steel reinforcement 113314
Steel reinforcement 113040

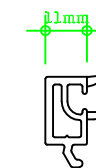


105mm bottom rail 105034
Alum reinforcement 115287

sashes



10mm sculptured glazing bead
For 28mm glazing 107169



11mm square bead for midrail
For 28mm glazing 107118



bottom rail weatherseal 112369



3.5mm weldable gasket 112279



Standard 8.5mm Brushpile seal 112365

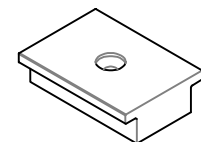


Remedial 10.5mm Brushpile seal 112108

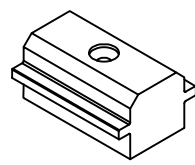


8mm x 40mm DS Brushpile seal 112361

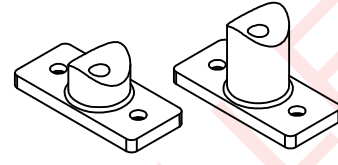
beads & seals



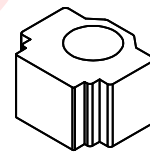
Anti-Racking Block 109603



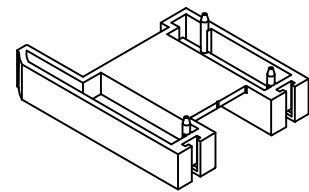
Packing block (upper sash) 109992



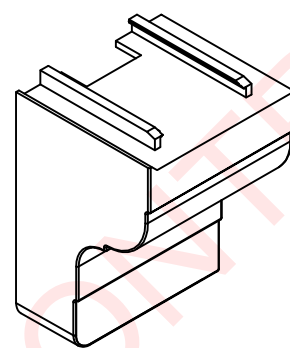
Spring balance keeper 109993



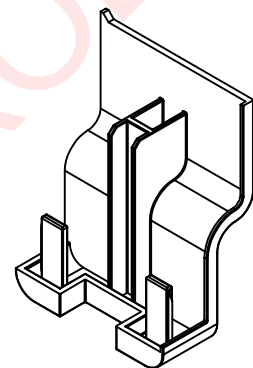
Spring Balance Draft Stop 143049



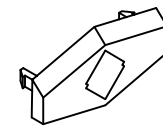
Mechanical joint end cap LH&RH 109996



Top sash horn moulding 109990



Top sash horn moulding 109991



Face Drain Slot Cover 109267

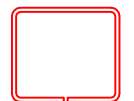
moulded parts



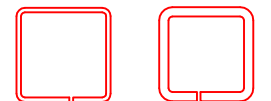
Steel reinforcement - 113020



Steel reinforcement - 113321



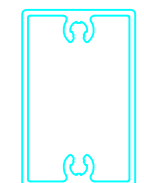
Steel reinforcement - 113314



Steel reinforcement - 113040



Aluminium reinforcement - 115010



Aluminium reinforcement - 115287

reinforcement



matrix vertical slider profile chart

note:
Only available woodgrain
bottlesides.

